



Xtra-S SATELLITE FINDER



AV Cable



Adaptor



Compass



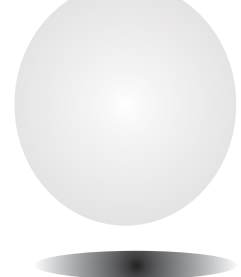
Car charger



Cable for s/w upgrading



Bag

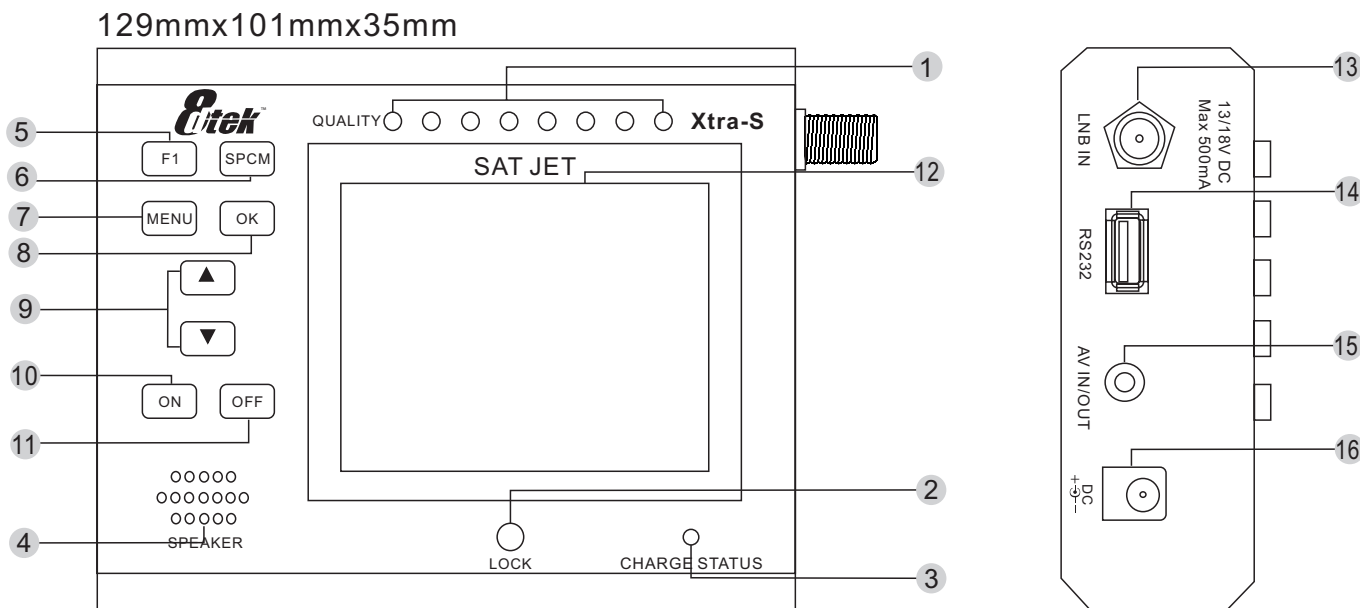


- Input Frequency 950~2150MHz
- Input Level -65~ -25dBm
- Input Impedance 75Ω
- **Real Time Spectrum**
- Sound Alarm& Light Alarm When Weak Signal Locked
- Auto search, Blind search, NIT search, Supported
- BER, S/N, Satellite Name Indication
- Digital Meter for Signal Strength (in numerical value and picture)
- 3.5 Inch High Definition TFT LCD Screen
- AV-IN (by RCA) function for testing STB, Camera, etc
- RCA Output for TV
- LI-ION Battery (2350mAH), Last 6 Hours, Fast Charge (2 to 3 hours)

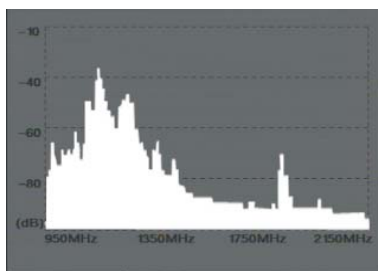


Xtra-S

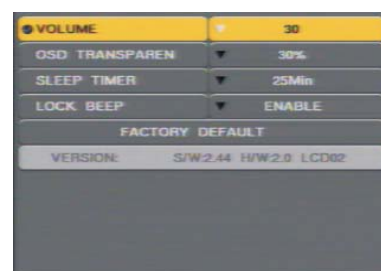
SATELLITE FINDER



OSD 1-3



OSD 2-3



OSD 3-3

- ① Green LED Line: Indicate signal Quality
- ② Lock LED : Indicate signal lock status
- ③ Charge Status: Indicate charging & on/off status
- ④ Speaker: Sound and indicate signal lock status
- ⑤ Button F1: Switch between AV In and AV Out under TV mode, or switch to System Setting under Main Menu
- ⑥ Button SPCM: Shortcuts for spectrum, see OSD 2-2
- ⑦ Button Menu: Shortcuts for enter and exit OSD1-2
- ⑧ Button Ok: Selection confirmation
- ⑨ Button Up/Down: Item Selection
- ⑩ Button On: Power on the meter
- ⑪ Button Off: Power off the meter
- ⑫ LCD: Play the video and display UI
- ⑬ F type Connector: Connect to dish for signal input
- ⑭ Rs232 Connector: Port for s/w upgrading
- ⑮ AV Connector: Port for AV In and AV Out
- ⑯ DC Connector: Port for power charging